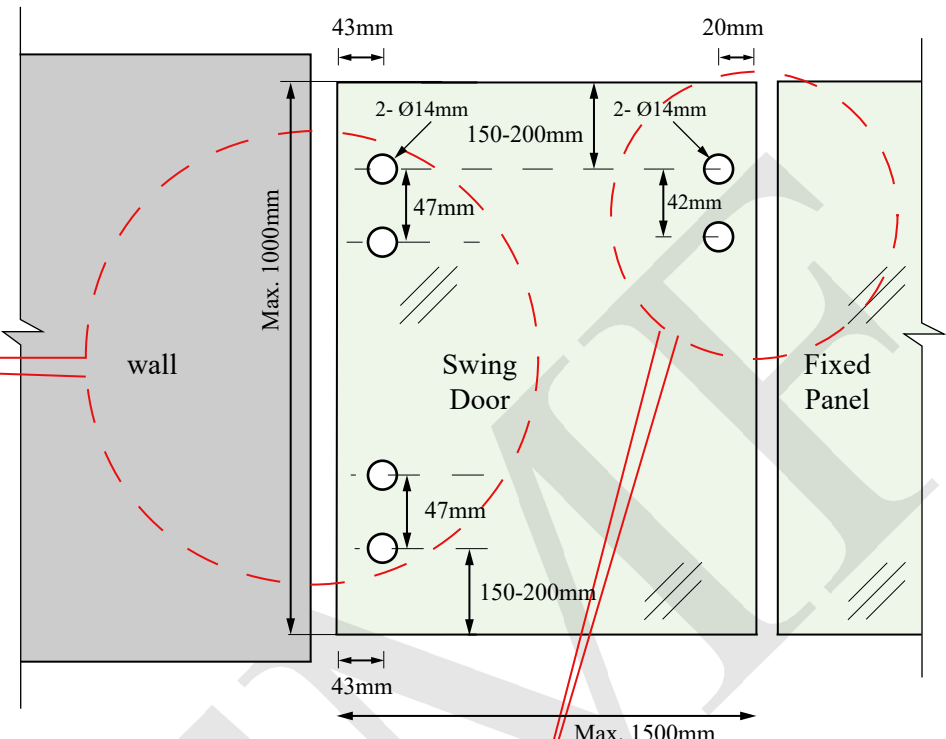
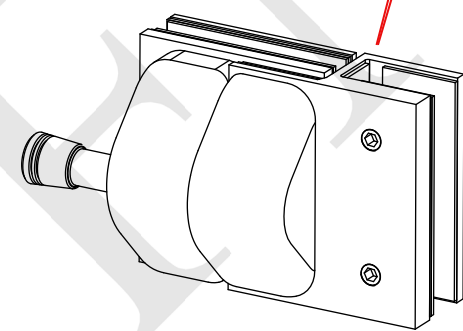


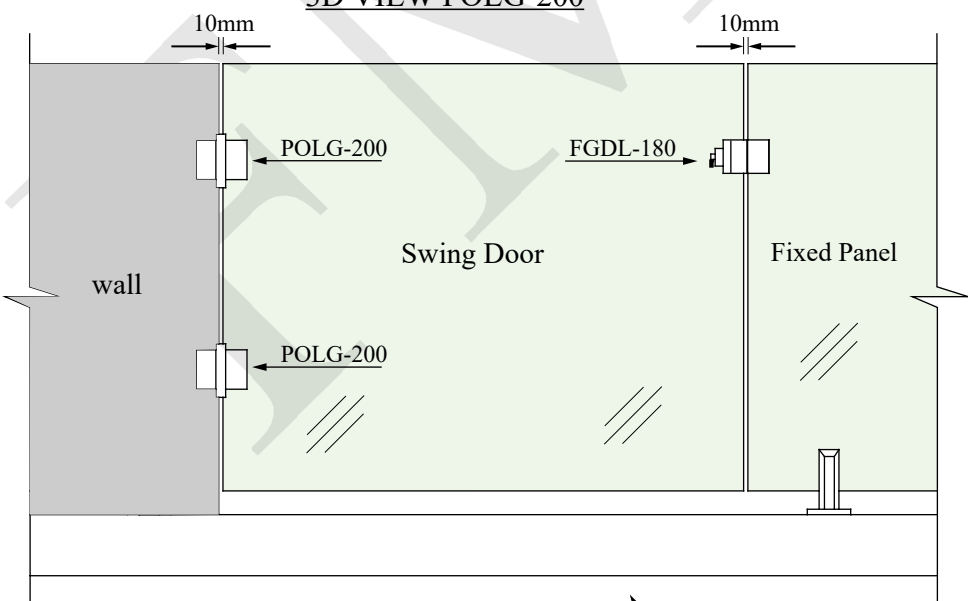
3D VIEW POLG-200



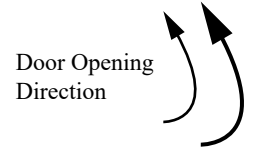
GLASS FABRICATION



3D VIEW FGDL-180



ELEVATION



Door Opening Direction

NOTES: - PROPRIETARY AND CONFIDENTIAL - THE INFORMATION CONTAINED IN THIS DRAWING IS THE SOLE PROPERTY OF FMF GLASS HARDWARE. ANY REPRODUCTION IN PART OR AS A WHOLE WITHOUT THE WRITTEN PERMISSION OF FMF GLASS HARDWARE IS PROHIBITED.		PRODUCT NAME: 90° Left Side Open Magnetic Glass Door Lock & Glass- Wall Self-Closing Hinge		PRODUCT MODEL NUMBER: FGDL-180 & POLG-200		
DWG NO.	UNIT: MM	DWG SIZE/SCALE	FMF GLASS HARDWARE	REV.	1	
DATE:	DRAWN BY: FMF	A4/NTS		SHEET 1 OF 1		