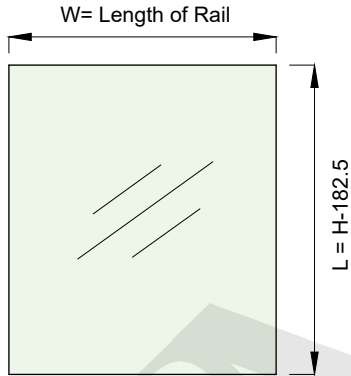
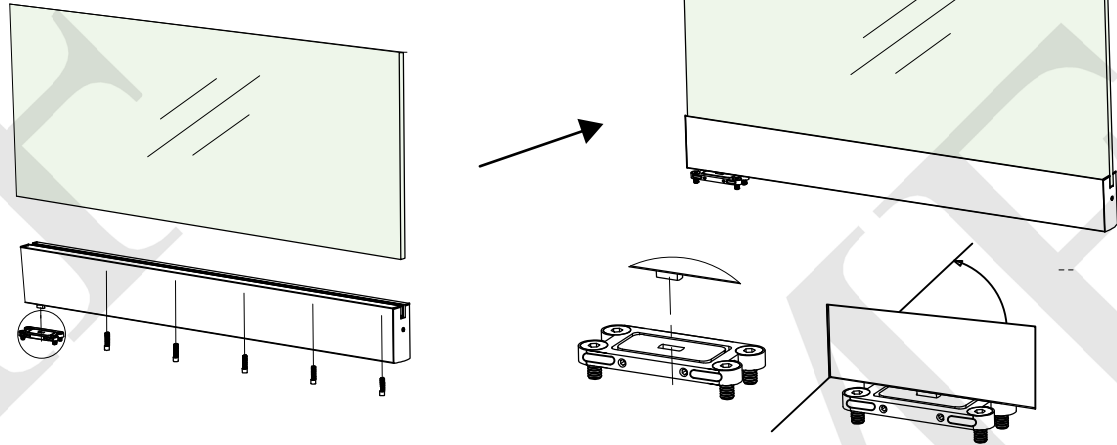


**Glass Sizes**

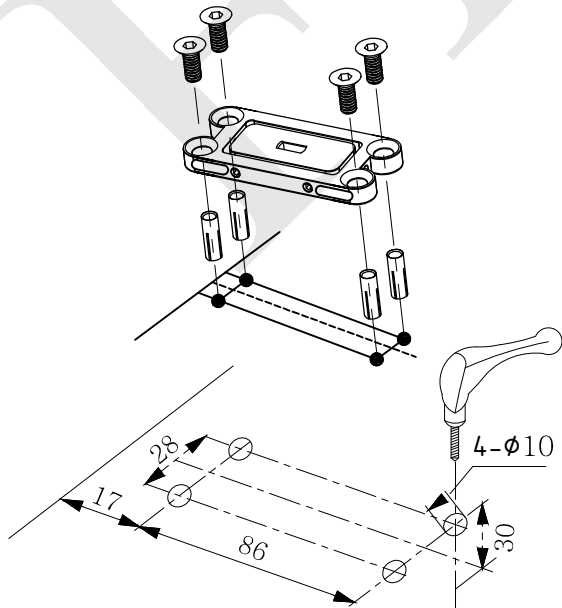
W = Glass Width (Max. 908mm)  
 L = Glass Height  
 H = Opening Height



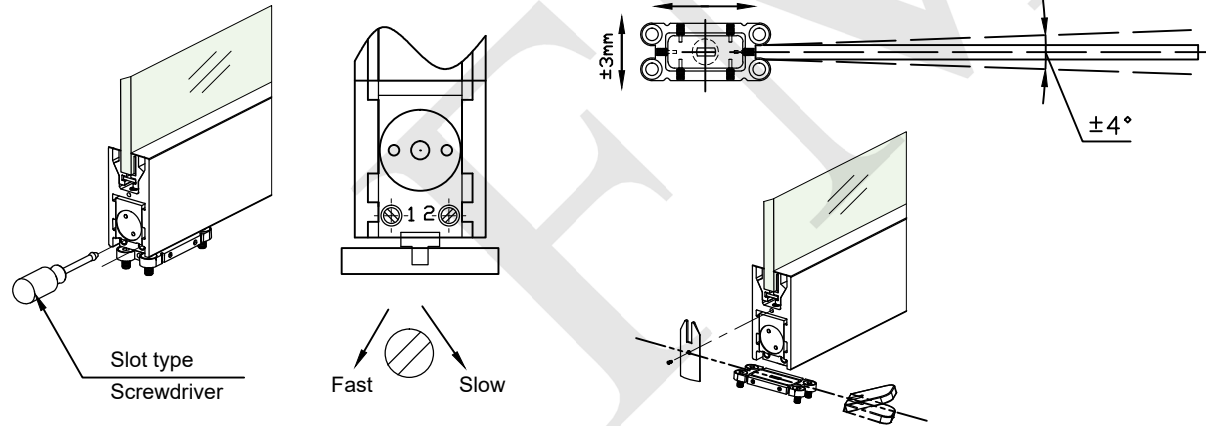
**BOTTOM RAIL'S INSTALLATION ON THE GLASS DOOR**



**GROUND DRILLING, MOUNTING SCREWS & BASE PLATE**

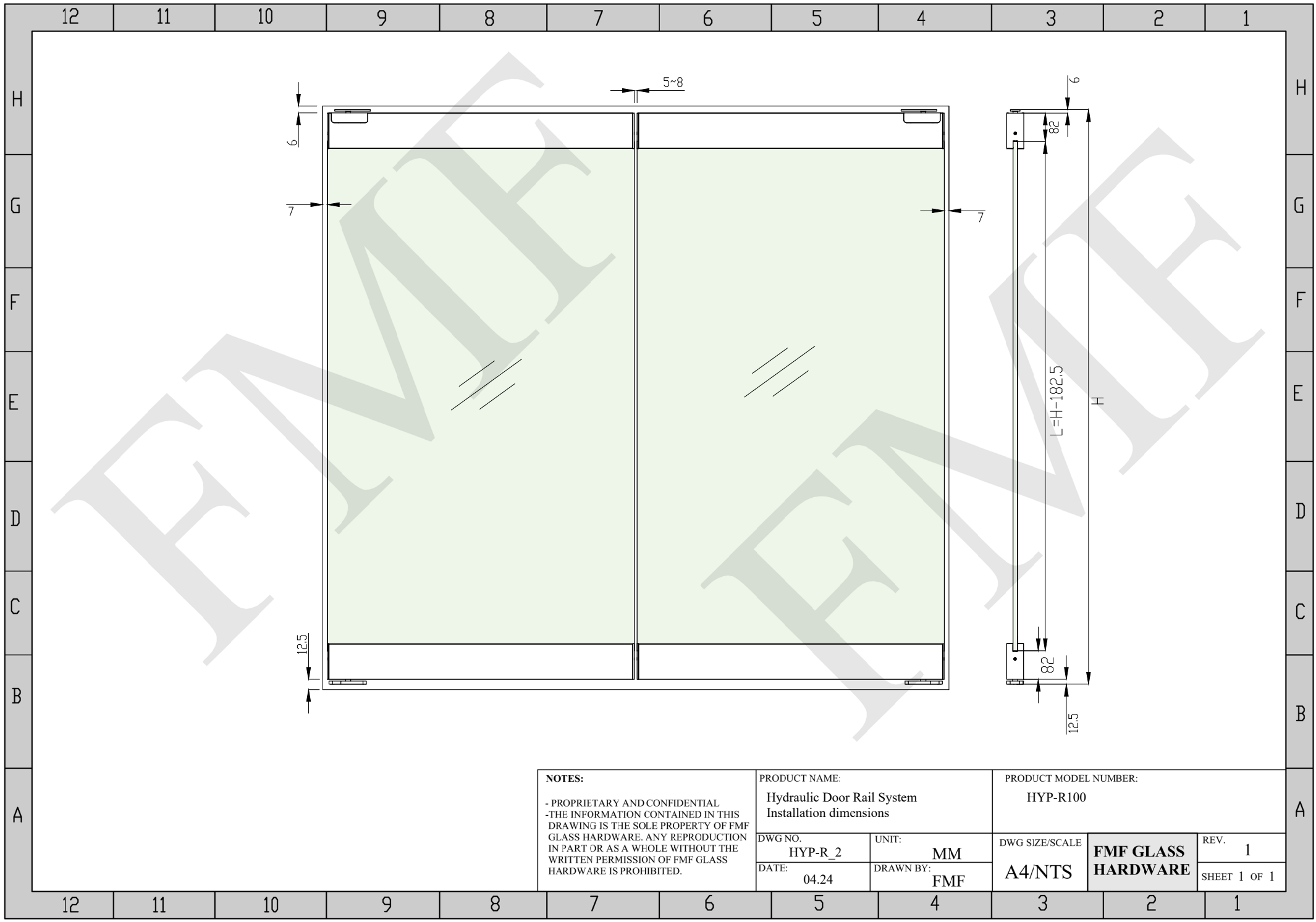


**ADJUSTMENTS**



Maximum Door weight capacity: 100kg

|   |  |   |  |               |                     |
|---|--|---|--|---------------|---------------------|
| <p><b>NOTES:</b></p> <p>- PROPRIETARY AND CONFIDENTIAL<br/>                 -THE INFORMATION CONTAINED IN THIS DRAWING IS THE SOLE PROPERTY OF FMF GLASS HARDWARE. ANY REPRODUCTION IN PART OR AS A WHOLE WITHOUT THE WRITTEN PERMISSION OF FMF GLASS HARDWARE IS PROHIBITED.</p> | <p>PRODUCT NAME:<br/>                 Hydraulic Door Rail System</p> |   | <p>PRODUCT MODEL NUMBER:<br/>                 HYP-R100</p> |               |                     |
|   | <p>DWG NO.<br/>                 HYP-R100_1</p>                       | <p>UNIT:<br/>                 MM</p>      | <p>DWG SIZE/SCALE<br/>                 A4/NTS</p>          | <p>REV. 1</p> |                     |
|   | <p>DATE:<br/>                 04.24</p>                              | <p>DRAWN BY:<br/>                 FMF</p> | <p><b>FMF GLASS HARDWARE</b></p>                           |               | <p>SHEET 1 OF 1</p> |



**NOTES:**  
 - PROPRIETARY AND CONFIDENTIAL  
 - THE INFORMATION CONTAINED IN THIS DRAWING IS THE SOLE PROPERTY OF FMF GLASS HARDWARE. ANY REPRODUCTION IN PART OR AS A WHOLE WITHOUT THE WRITTEN PERMISSION OF FMF GLASS HARDWARE IS PROHIBITED.

**PRODUCT NAME:**  
 Hydraulic Door Rail System  
 Installation dimensions

|                    |                  |
|--------------------|------------------|
| DWG NO.<br>HYP-R_2 | UNIT:<br>MM      |
| DATE:<br>04.24     | DRAWN BY:<br>FMF |

**PRODUCT MODEL NUMBER:**  
 HYP-R100

|                          |                               |              |
|--------------------------|-------------------------------|--------------|
| DWG SIZE/SCALE<br>A4/NTS | <b>FMF GLASS<br/>HARDWARE</b> | REV. 1       |
|                          |                               | SHEET 1 OF 1 |