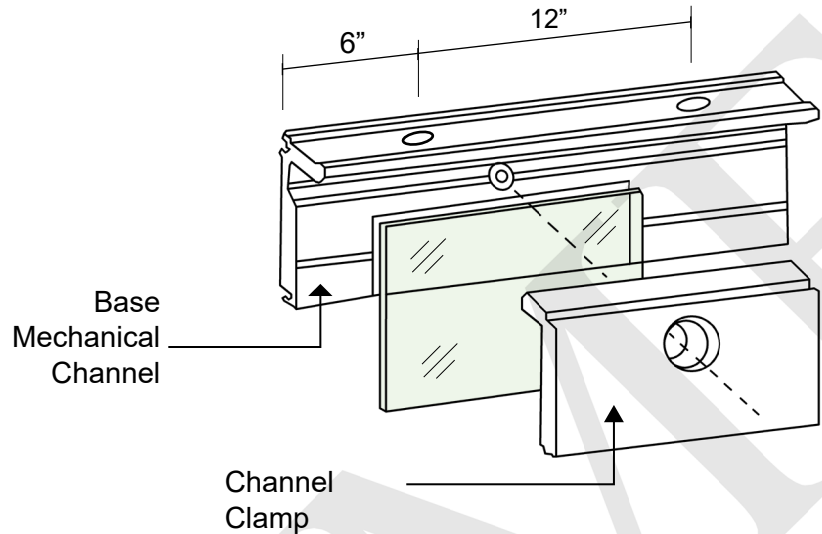
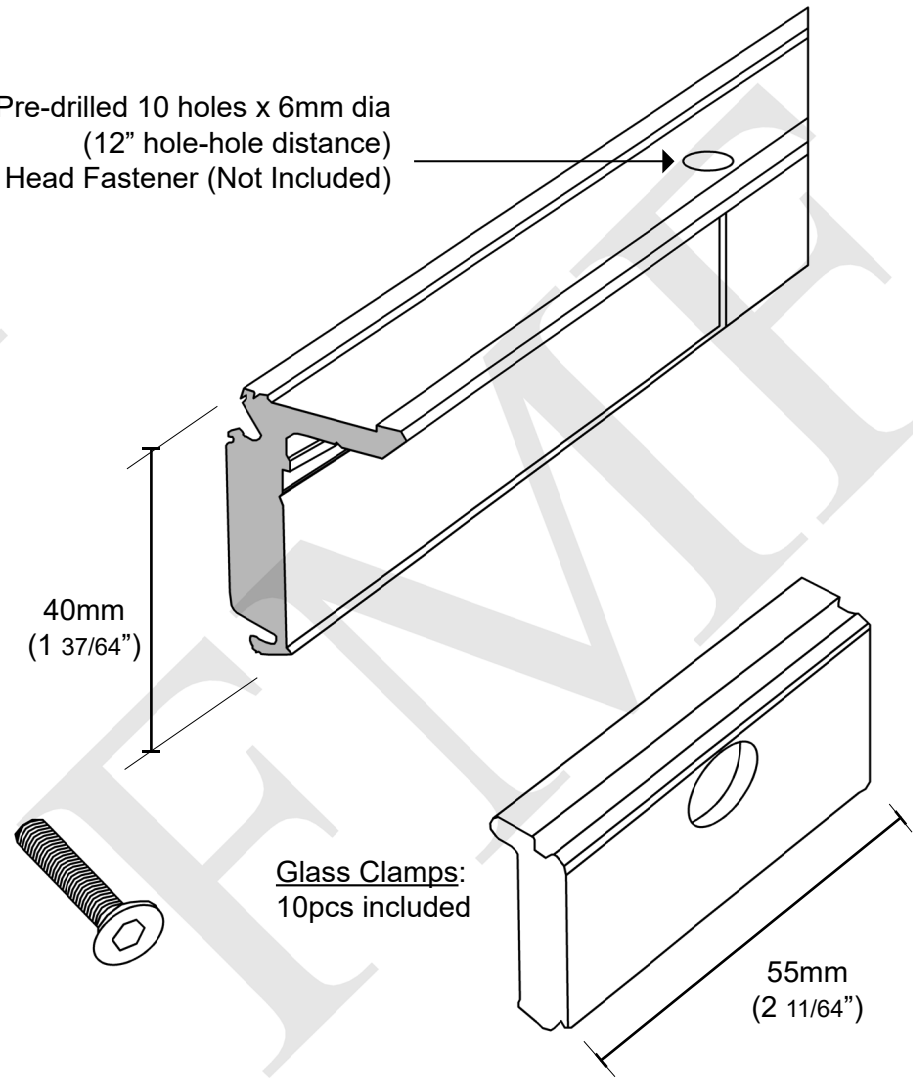


12 11 10 9 8 7 6 5 4 3 2 1

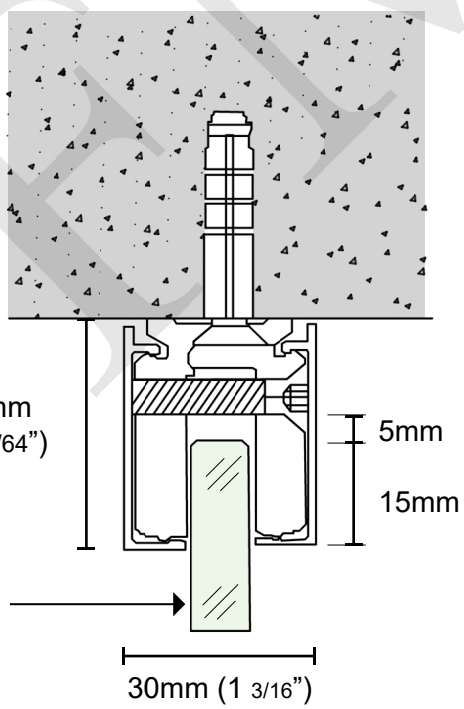
H
G
F
E
D
C
B
A



Pre-drilled 10 holes x 6mm dia
(12" hole-hole distance)
Flat Head Fastener (Not Included)



Glass Clamps:
10pcs included



12mm
Tempered Glass

NOTES: - PROPRIETARY AND CONFIDENTIAL - THE INFORMATION CONTAINED IN THIS DRAWING IS THE SOLE PROPERTY OF FMF GLASS HARDWARE. ANY REPRODUCTION IN PART OR AS A WHOLE WITHOUT THE WRITTEN PERMISSION OF FMF GLASS HARDWARE IS PROHIBITED.		PRODUCT NAME: Mechanical U-Channel		PRODUCT MODEL NUMBER: MUC		
DWG NO. MUC	UNIT: MM	DWG SIZE/SCALE A4/NTS	FMF GLASS HARDWARE	REV. 1		
DATE: 07.24	DRAWN BY: FMF			SHEET 1 OF 1		

12 11 10 9 8 7 6 5 4 3 2 1