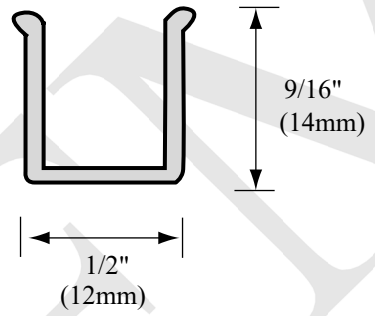


**Shower Header Channel**  
Round/Flat (D) Profile



**Snap-In Filler**

<b>NOTES:</b> - PROPRIETARY AND CONFIDENTIAL - THE INFORMATION CONTAINED IN THIS DRAWING IS THE SOLE PROPERTY OF FMF GLASS HARDWARE. ANY REPRODUCTION IN PART OR AS A WHOLE WITHOUT THE WRITTEN PERMISSION OF FMF GLASS HARDWARE IS PROHIBITED.	PRODUCT NAME: <b>Shower Door Header System</b>		PRODUCT MODEL NUMBER: <b>SA07</b>		
	DWG NO. <b>SA07</b>	UNIT: <b>IN./MM</b>	DWG SIZE/SCALE <b>A4/NTS</b>	<b>FMF GLASS HARDWARE</b>	REV. <b>1</b>
	DATE: <b>05.24</b>	DRAWN BY: <b>FMF</b>	<b>SHEET 1 OF 1</b>		